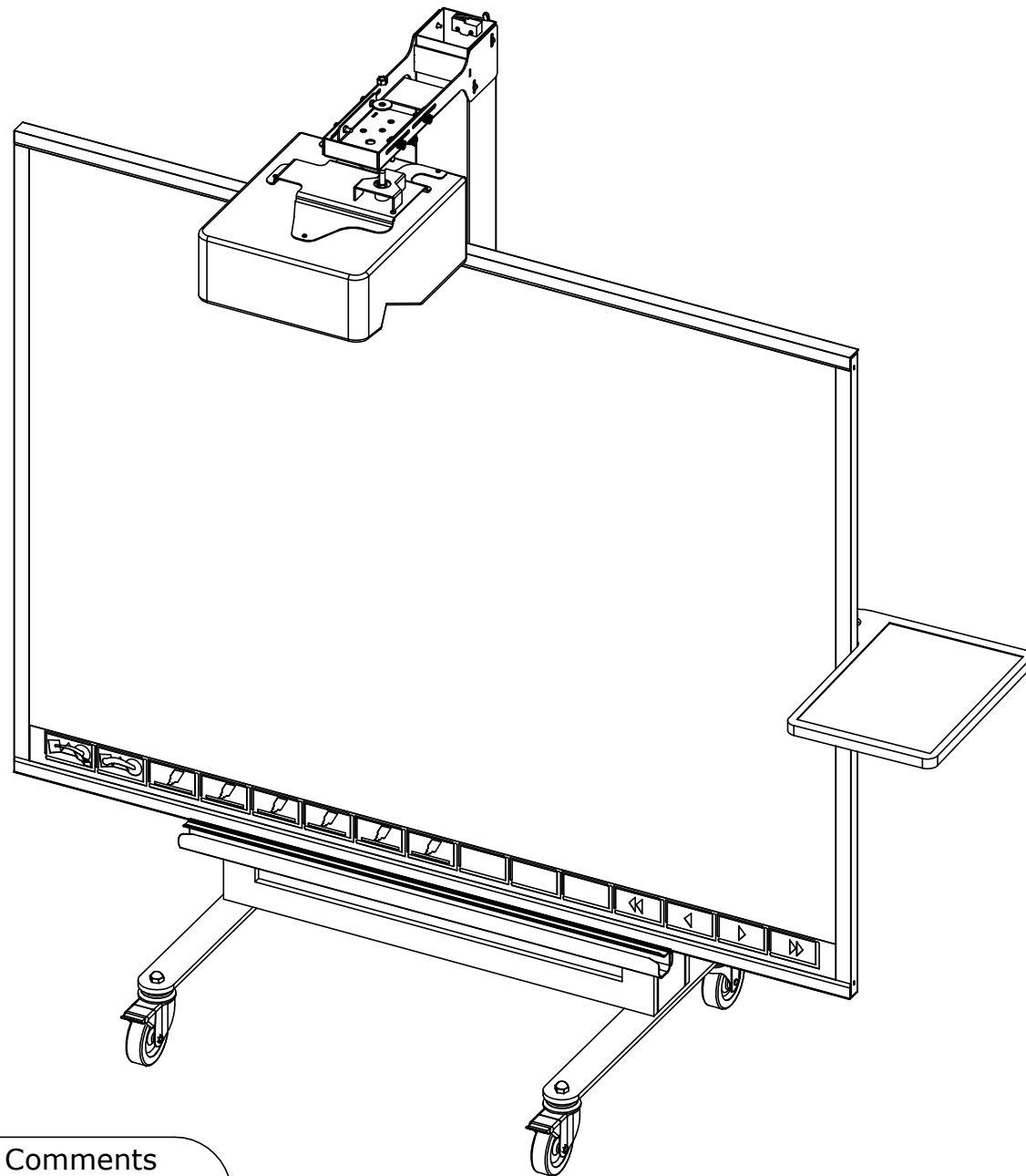




Note: Please review the instructions sheet before assembly.

### Total Power Mobile TeamBoard



Comments  
or  
Questions?

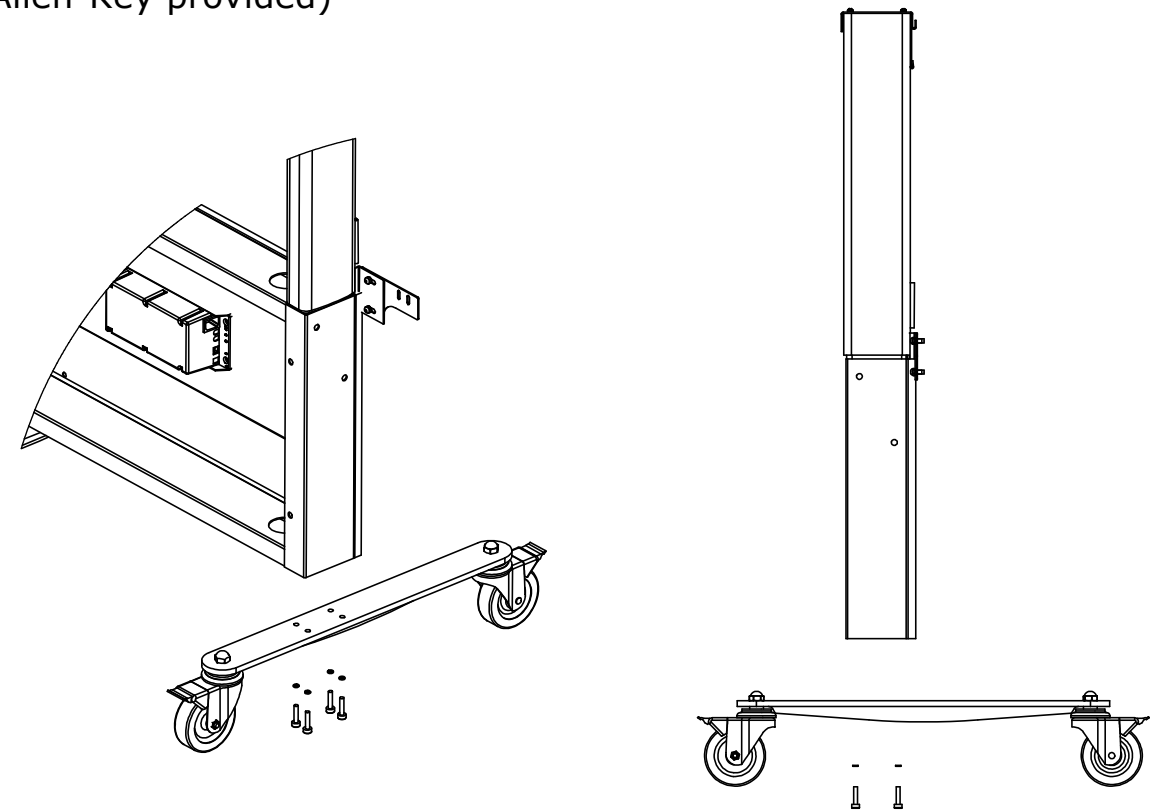
CONTACT US!  
support@teamboard.com  
www.teamboard.com

North America  
1-800-263-2387

International  
1-905-851-2826

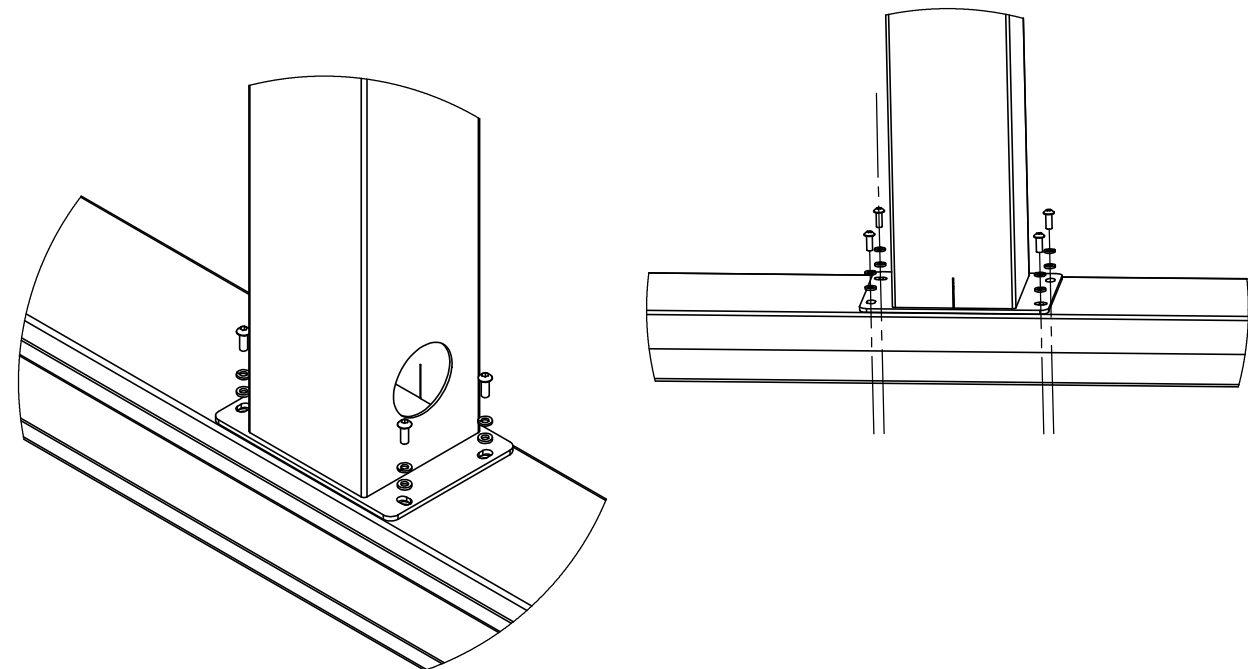
#### Step(1)

Attach two bases with 8 - 1/4-20 bolts, 8 - lock washers.  
(Allen-Key provided)



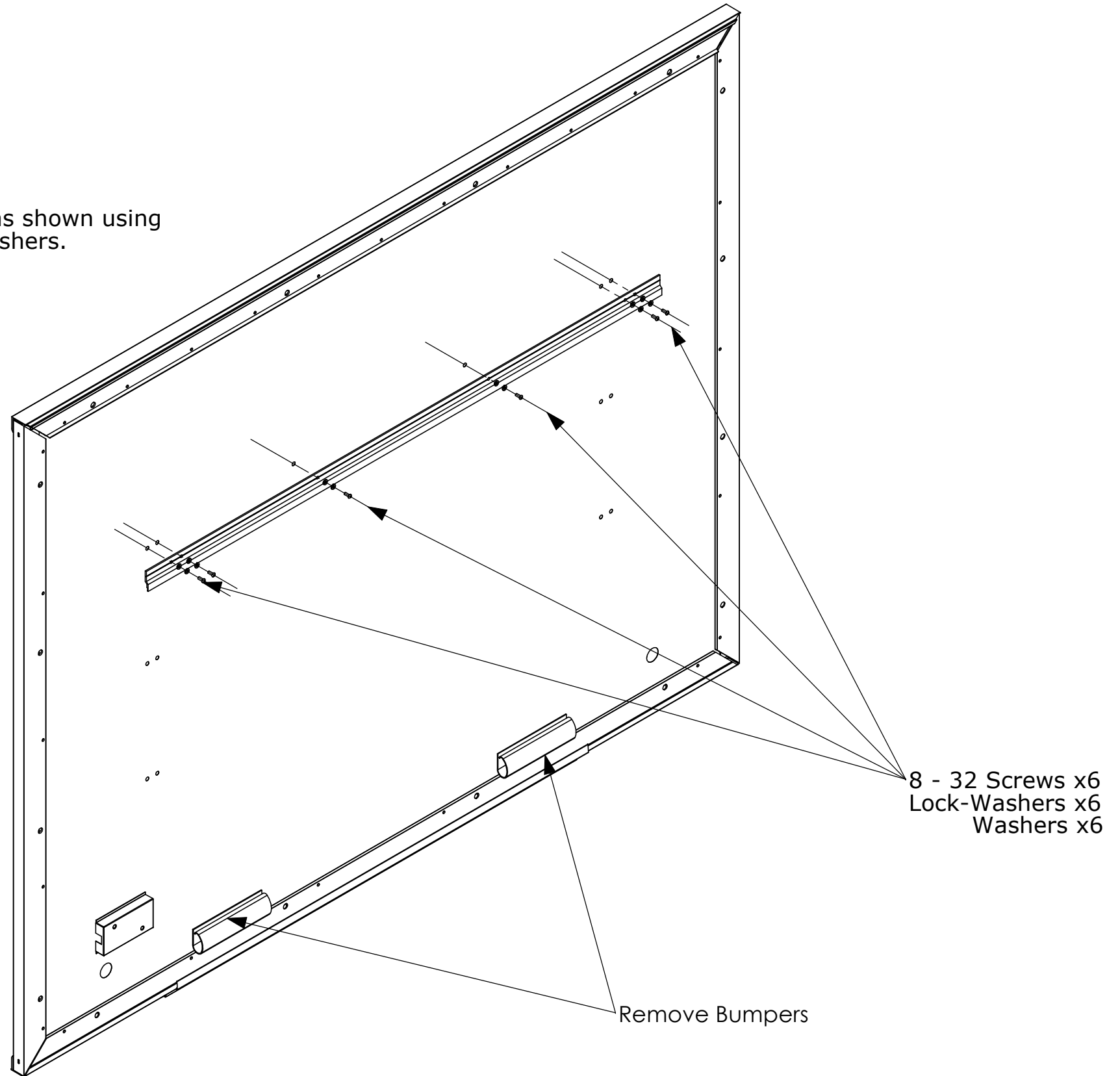
#### Step(2)

Attach pole with 4 - 1/4-20 bolts, 4 -lock washers, 4 - washers.  
(Allen-keys provided)



Step(3)

Attach mounting bracket to TMWM6250 as shown using  
6 - 8-32 screws, 6 - washers, 6 - lock washers.  
(Allen-key provided)



Comments  
or  
Questions?

CONTACT US!  
support@teamboard.com  
www.teamboard.com

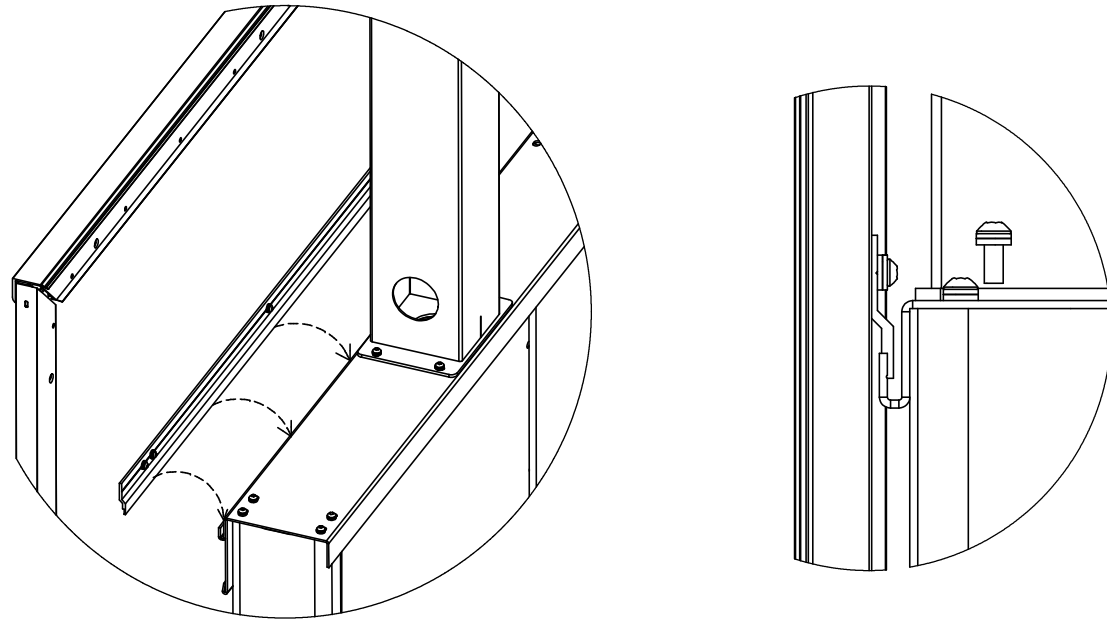
North America  
1-800-263-2387

International  
1-905-851-2826

**TEAM  
BOARD**

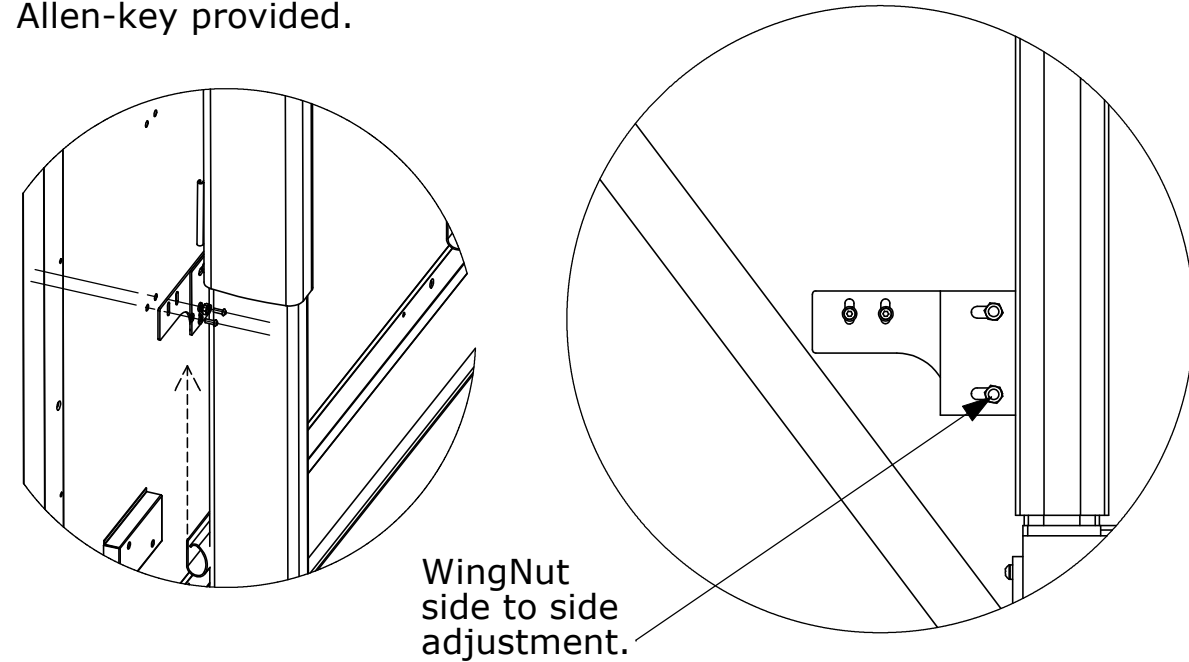
Step(4)

Hook mounting bracket attached on TMWM6250 to track of stand as shown.



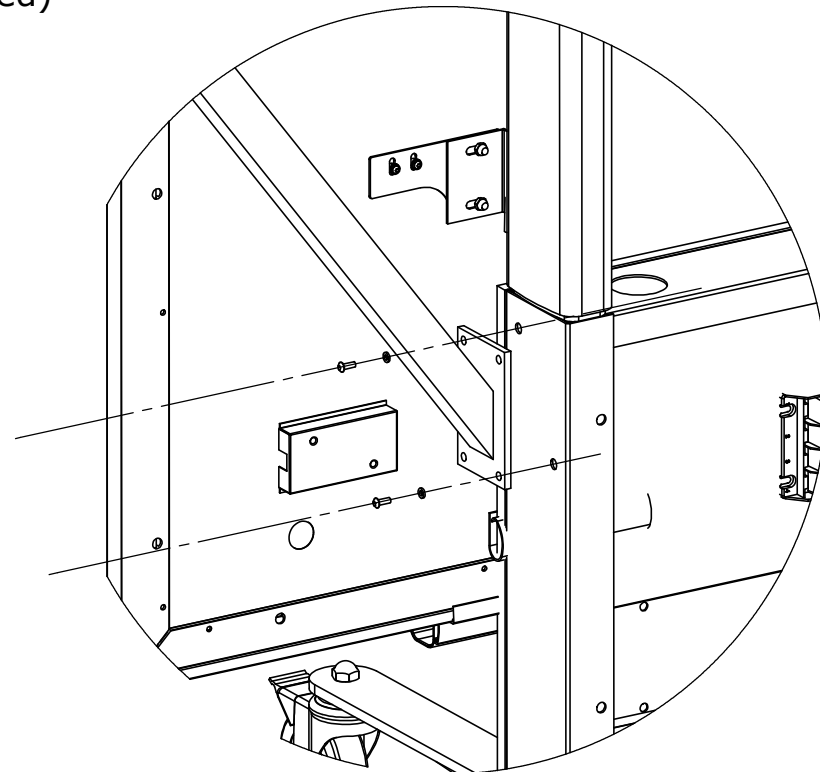
Step(5)

Raise unit to up position to attach safety brackets into bracket located on side of lift upright, and fasten bracket to back of TMWM6250 using 4 - 8-32 screws, 4 - washers and 4 - lock washers.(Showing left side bracket ) Allen-key provided.



Step(6)

Attach laptop shelf support arm to side of frame with 1/4-20 bolts, 2 - lock washers. (Allen Key provided)



Comments  
or  
Questions?

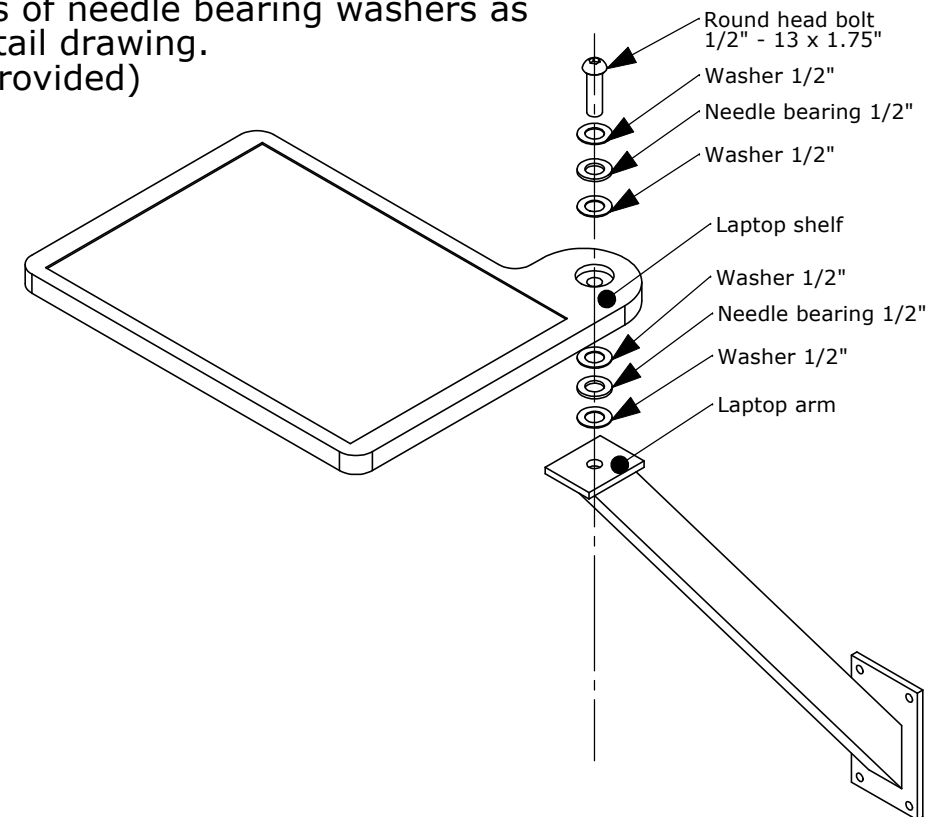
CONTACT US!  
support@teamboard.com  
www.teamboard.com

North America  
1-800-263-2387

International  
1-905-851-2826

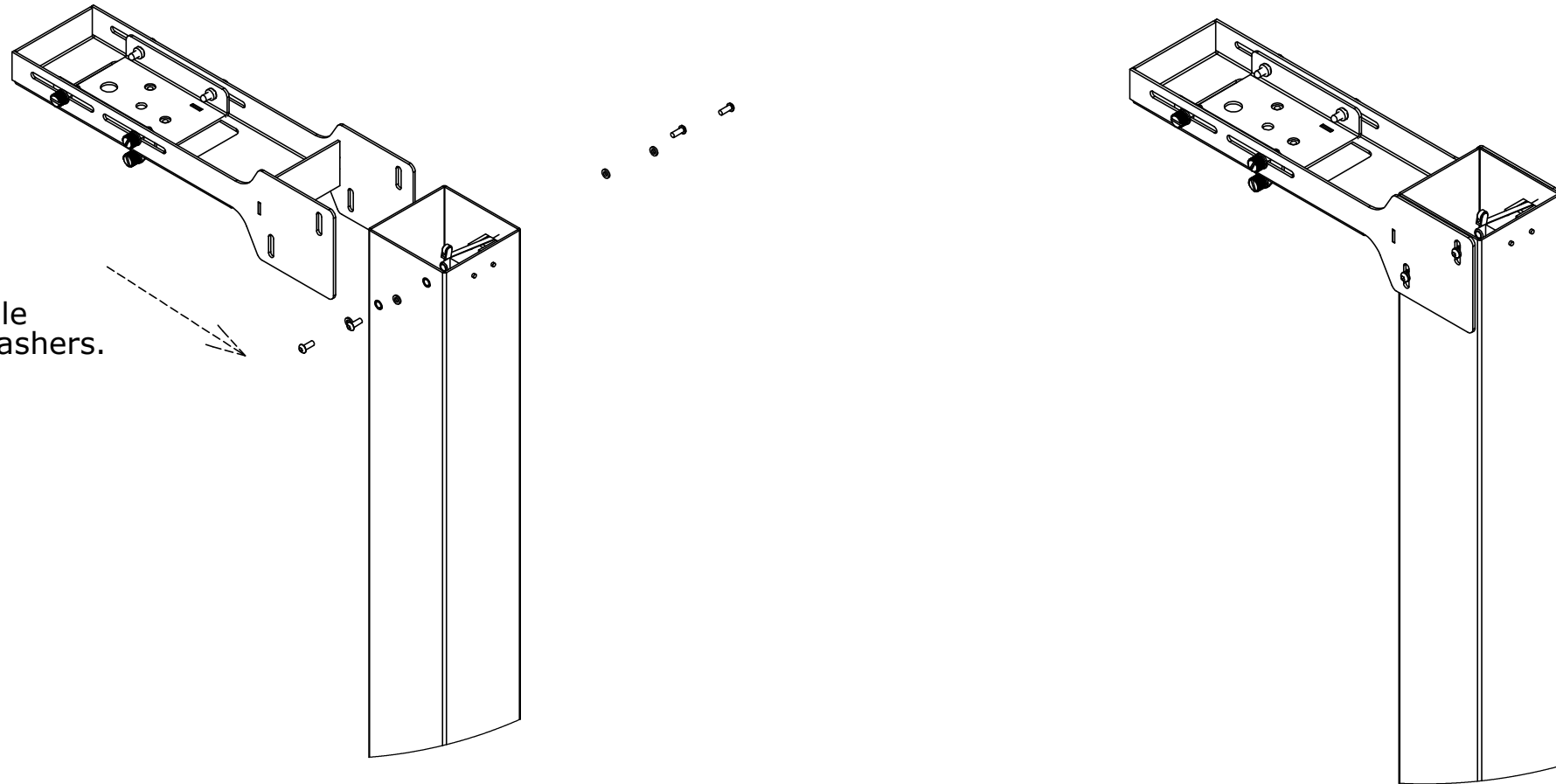
Step(7)

Attach laptop shelf with 1 - 1/2-13 x 1 3/4" bolt and sets of needle bearing washers as shown in detail drawing. (Allen-key provided)



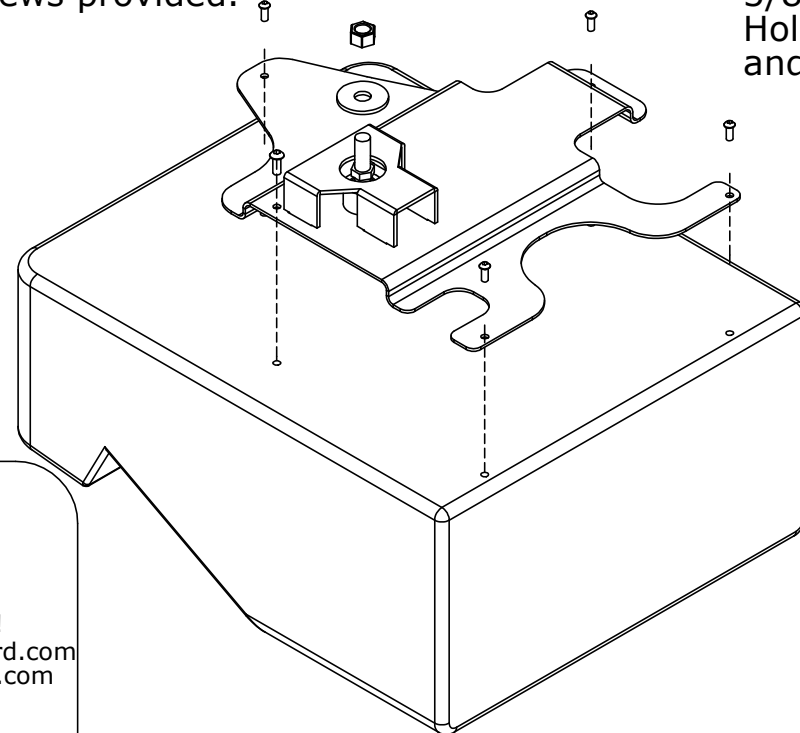
**Step (8)**

Attach projector arm to pole using 4 1/4-20 bolts, 4 washers.



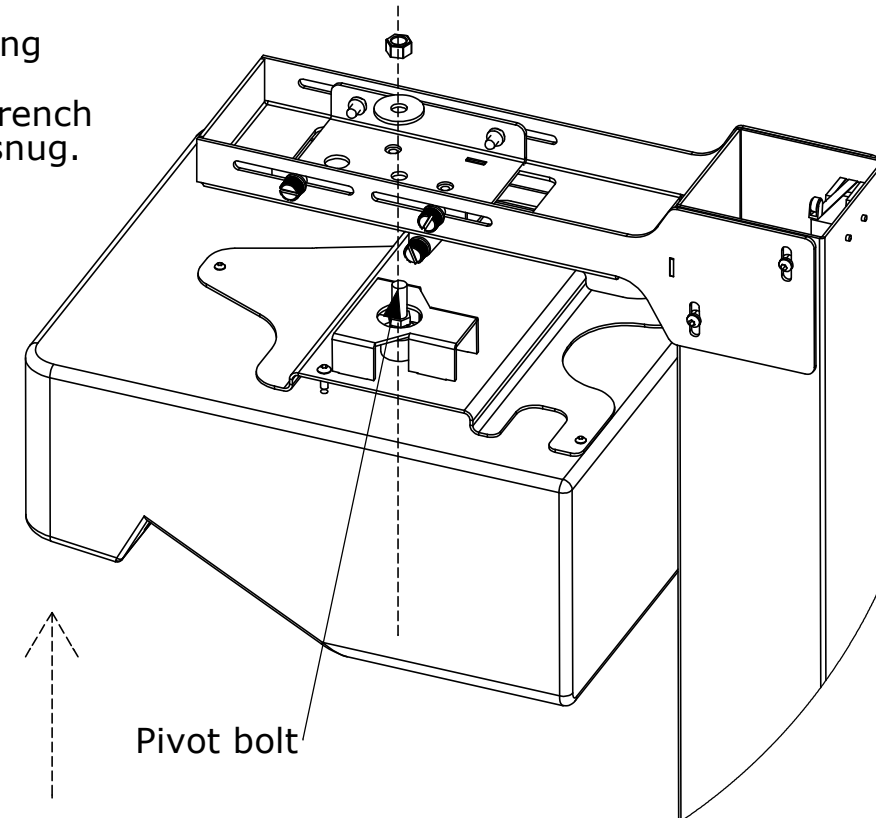
**Step (9)**

Attach projector mount bracket to projector using M4 screws provided.



**Step (10)**

Attach projector to arm using 3/8" nut and 2 washers. Hold pivot bolt with 3/8" wrench and tighten 3/8" nut until snug.



Comments  
or  
Questions?

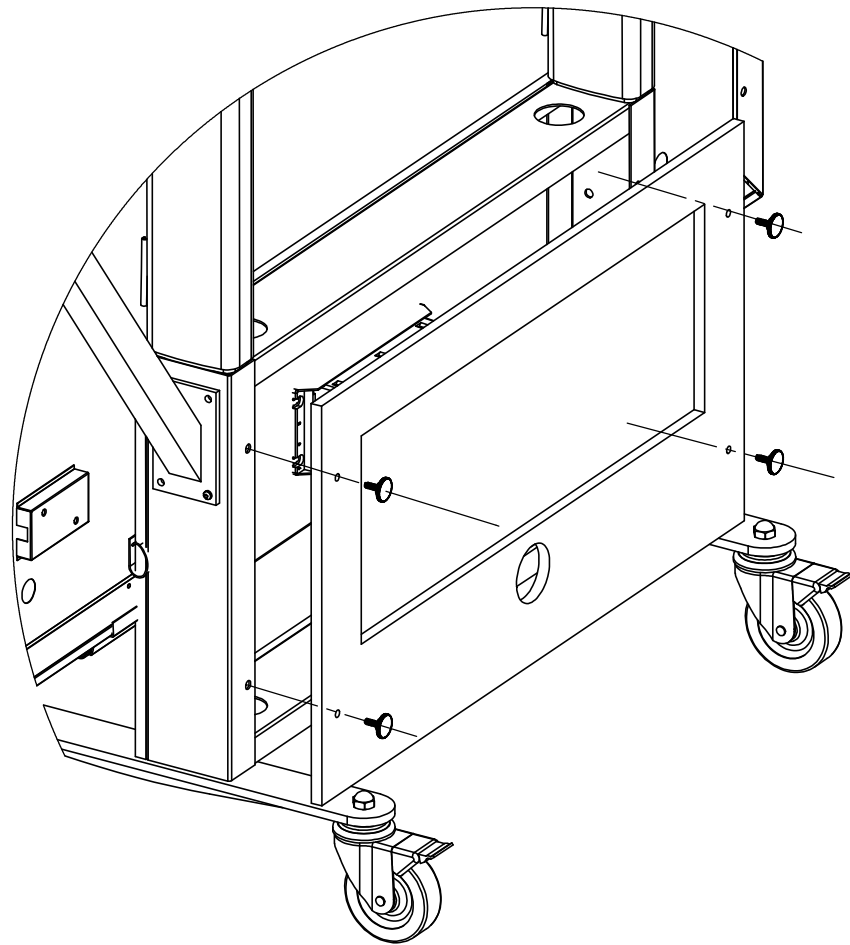
CONTACT US!  
support@teamboard.com  
www.teamboard.com

North America  
1-800-263-2387

International  
1-905-851-2826

Step (11)

Attach back panel using 4 knobs provided.



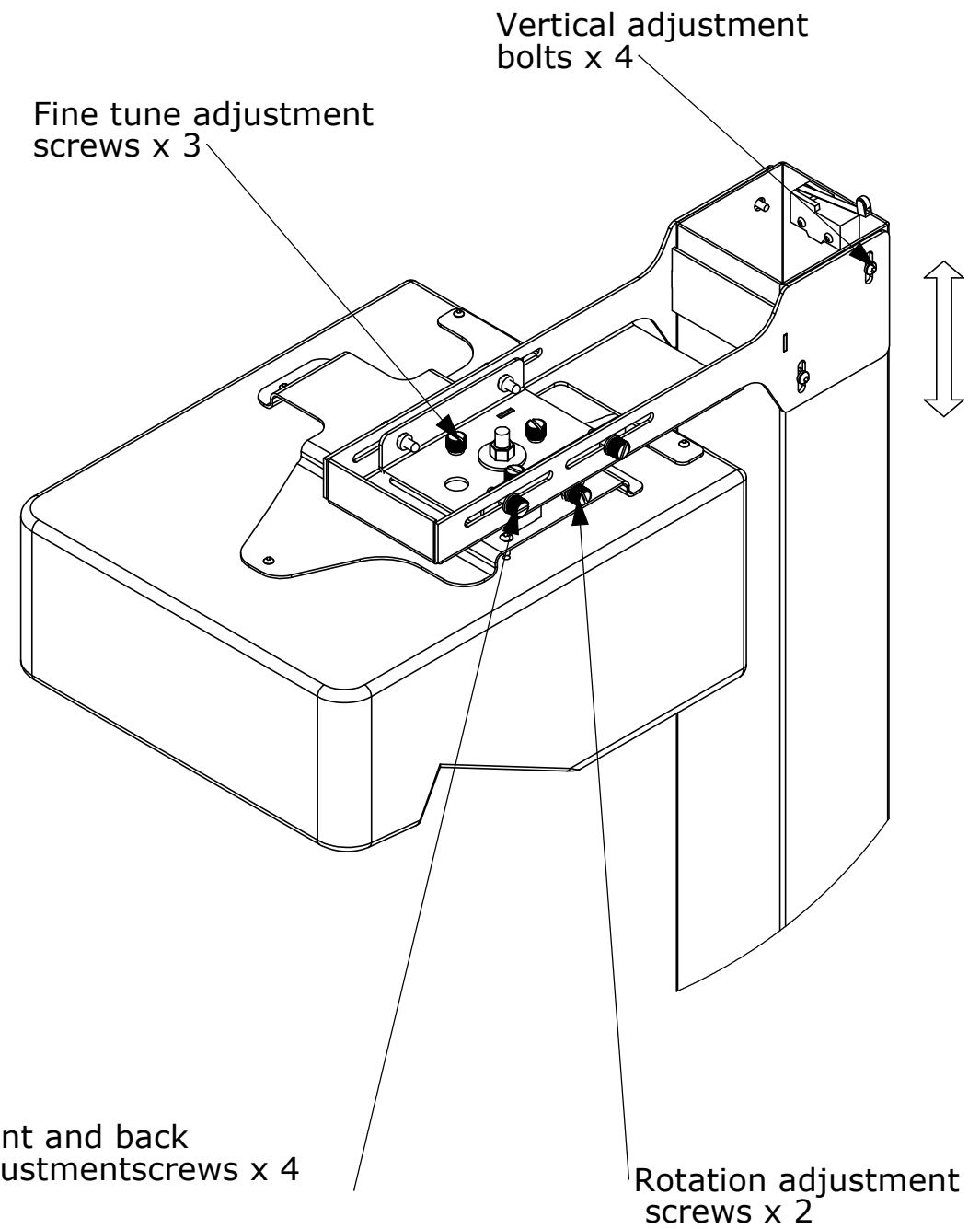
Comments  
or  
Questions?

CONTACT US!  
support@teamboard.com  
www.teamboard.com

North America  
1-800-263-2387

International  
1-905-851-2826

Step (12)



## Limit switch Installation and wiring.

Remove Limit switch from bubble wrap  
and attach to top of post using the 2  
screws and allen key supplied. Then  
**proceed to step 1 and follow.**



Comments  
or  
Questions?

CONTACT US!  
[support@teamboard.com](mailto:support@teamboard.com)  
[www.teamboard.com](http://www.teamboard.com)

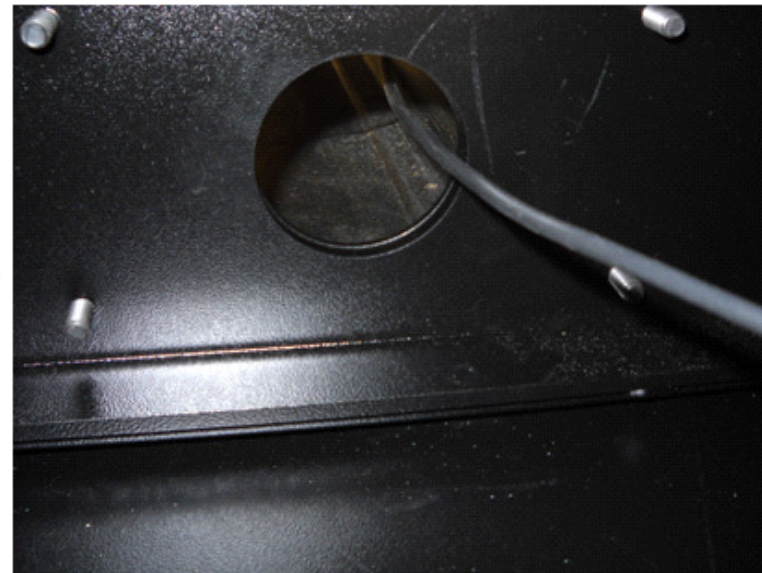
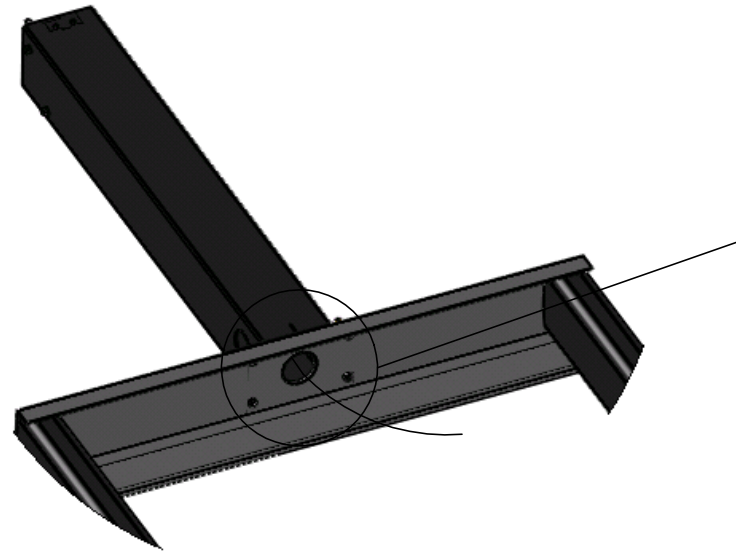
North America  
1-800-263-2387

International  
1-905-851-2826

### Continuing Limit switch wiring.

Run wire down post and into top of body.

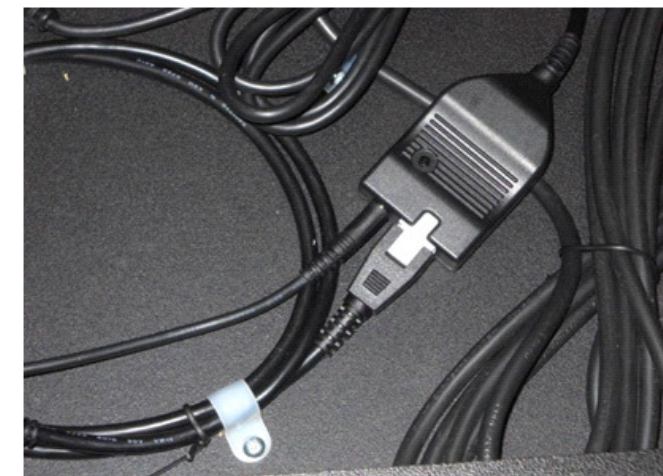
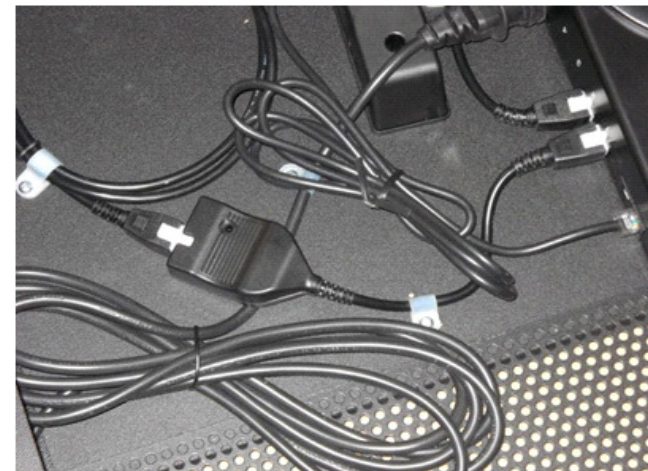
Continue running wire down top of body and into bottom of body.



Bring wire down to bottom of body

Locate connector switch to plug Limit switch in.

Plug Limit switch in and proceed to step3.



Comments  
or  
Questions?

CONTACT US!  
support@teamboard.com  
www.teamboard.com

North America  
1-800-263-2387

International  
1-905-851-2826