

Comments
or
Questions?

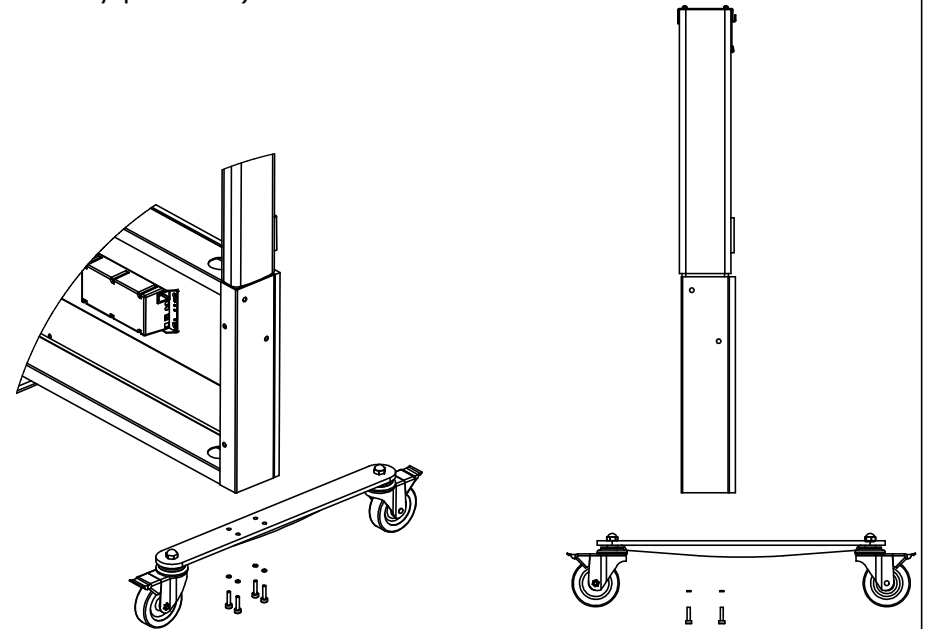
CONTACT US!
support@teamboard.com
www.teamboard.com

North America
1-800-263-2387

International
1-905-851-2826

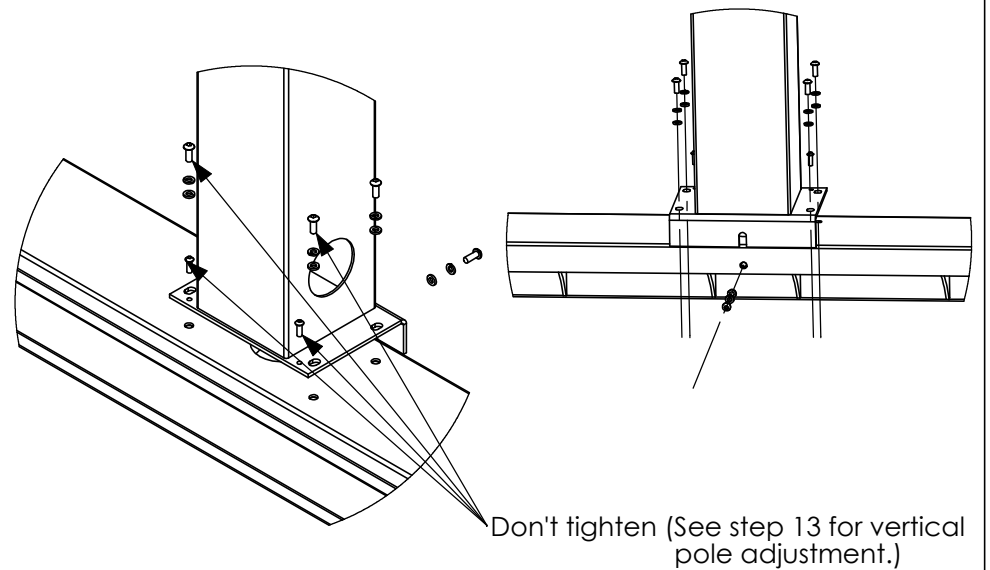
Step(1)

Attach two bases with 8 - 1/4-20 bolts, 8 - lock washers.
(Allen-Key provided)



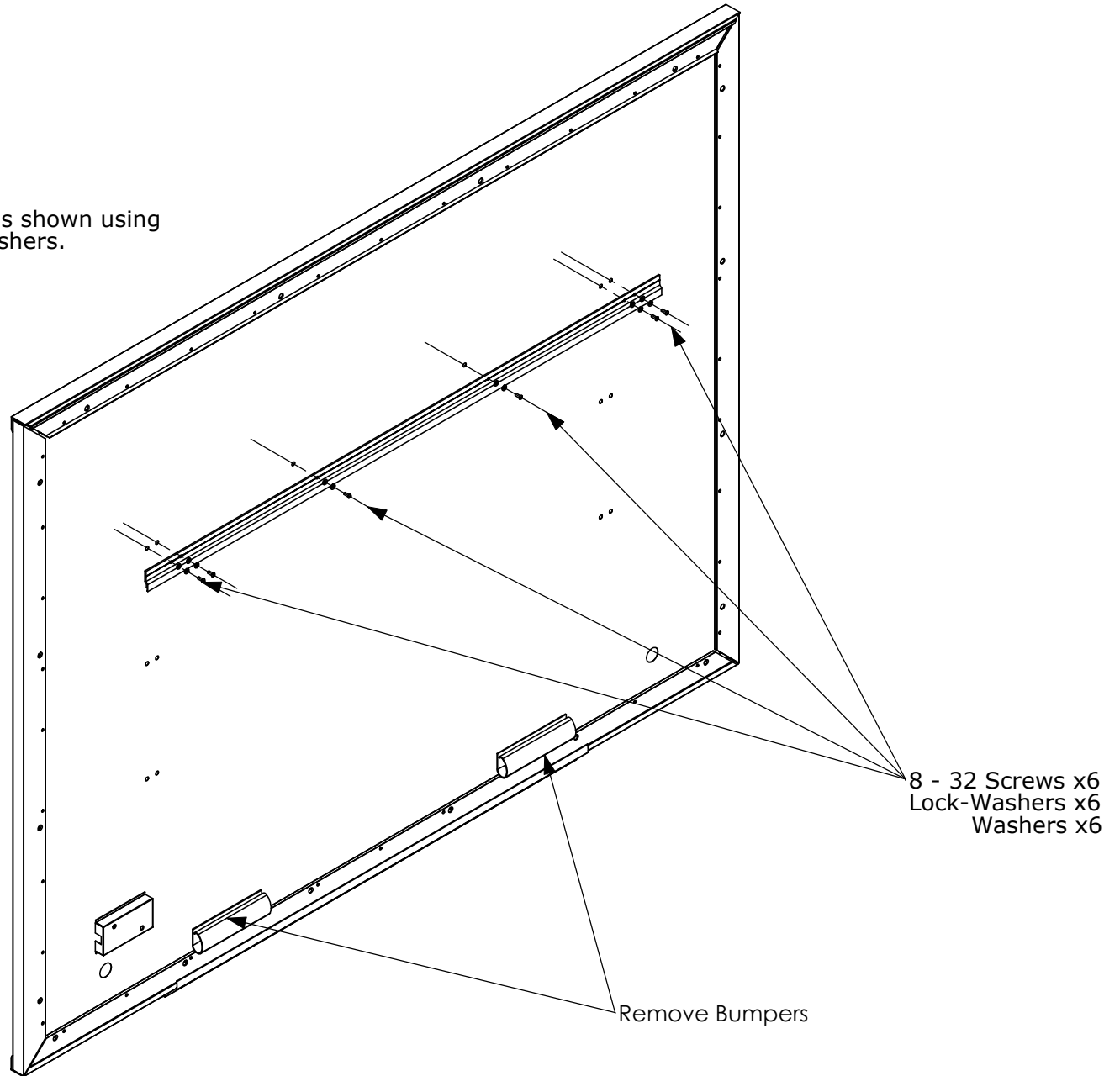
Step(2)

Attach pole with 5 - 1/4-20 bolts, 5 - lock washers, 5 - washers.
2 - M4 (Allen-keys provided)



Step(3)

Attach mounting bracket to TMWM6250 as shown using
6 - 8-32 screws, 6 - washers, 6 - lock washers.
(Allen-key provided)



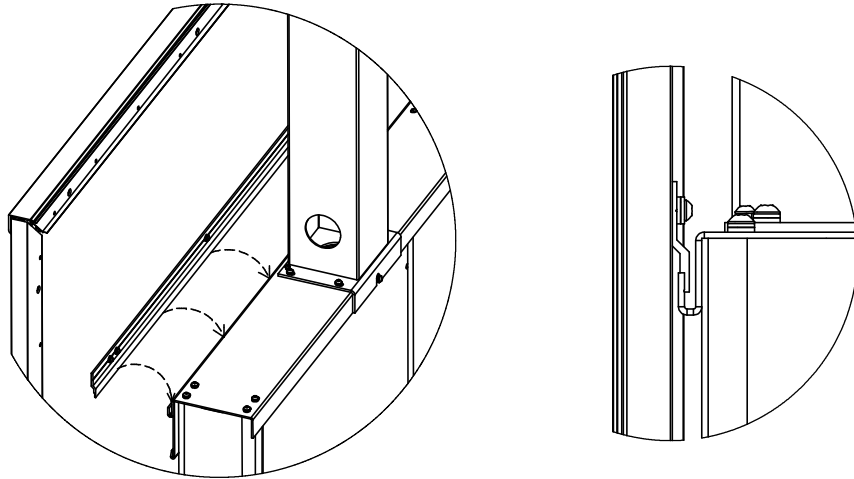
Comments
or
Questions?

CONTACT US!
support@teamboard.com
www.teamboard.com

North America
1-800-263-2387
International
1-905-851-2826

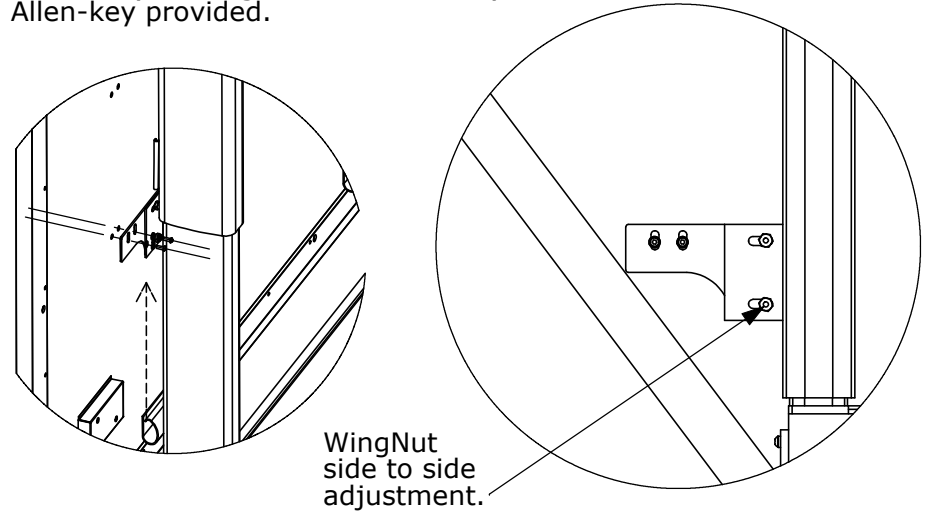
Step(4)

Hook mounting bracket attached on TMWM6250 to track of stand as shown.



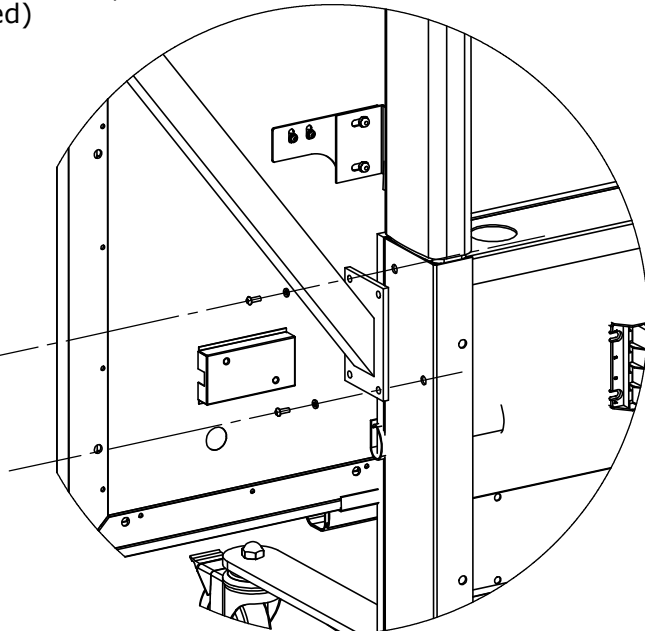
Step(5)

Raise unit to up position to attach safety brackets into bracket located on side of lift upright, and fasten bracket to back of TMWM6250 using 4 - 8-32 screws, 4 - washers and 4 - lock washers. (Showing left side bracket) Allen-key provided.



Step(6)

Attach laptop shelf support arm to side of frame with 1/4-20 bolts, 2 - lock washers. (Allen Key provided)



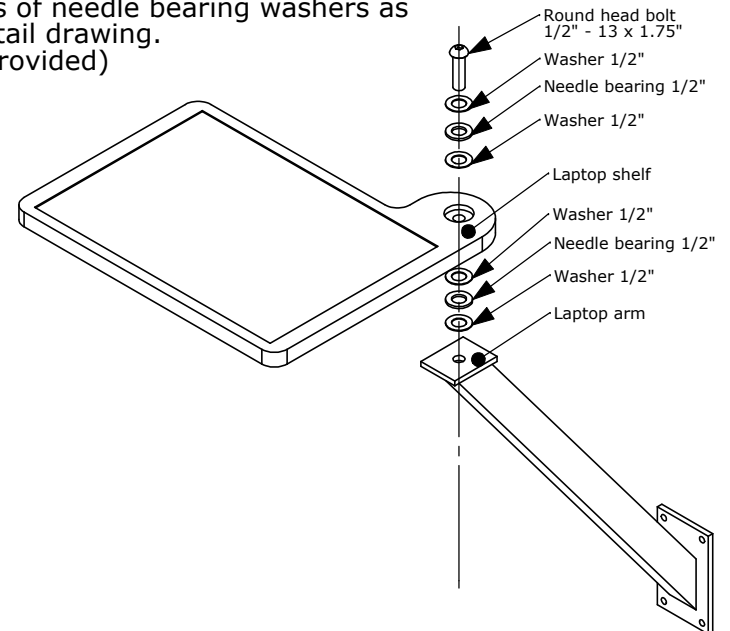
Comments
or
Questions?

CONTACT US!
support@teamboard.com
www.teamboard.com

North America
1-800-263-2387
International
1-905-851-2826

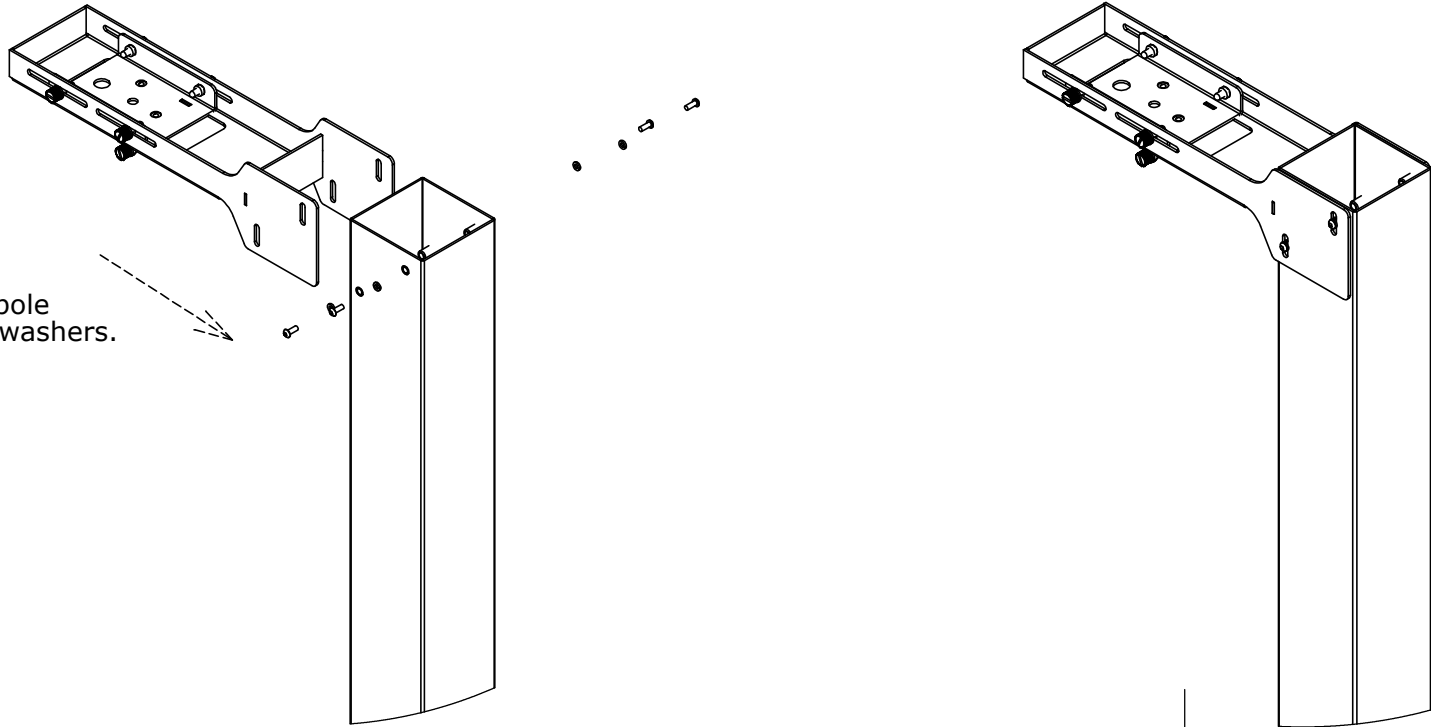
Step(7)

Attach laptop shelf with 1 - 1/2-13 x 1 3/4" bolt and sets of needle bearing washers as shown in detail drawing. (Allen-key provided)



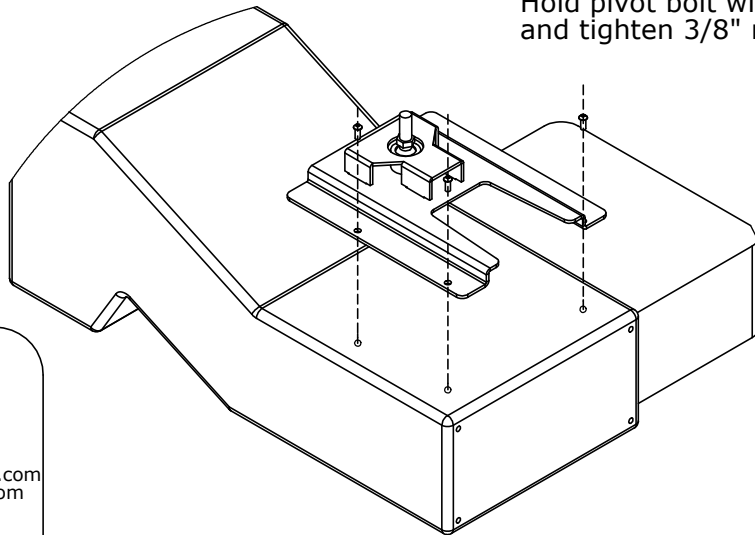
Step (8)

Attach projector arm to pole using 4 1/4-20 bolts, 4 -washers.



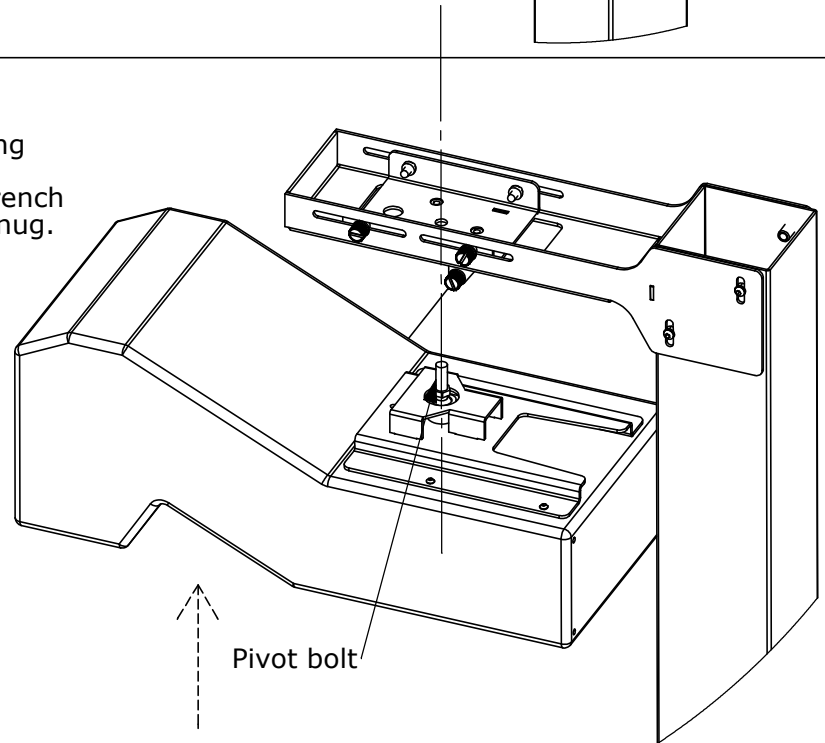
Step (9)

Attach projector mount bracket to projector using M4 X .7 screws provided.



Step (10)

Attach projector to arm using 3/8" nut and 2 washers. Hold pivot bolt with 3/8" wrench and tighten 3/8" nut until snug.



Comments
or
Questions?

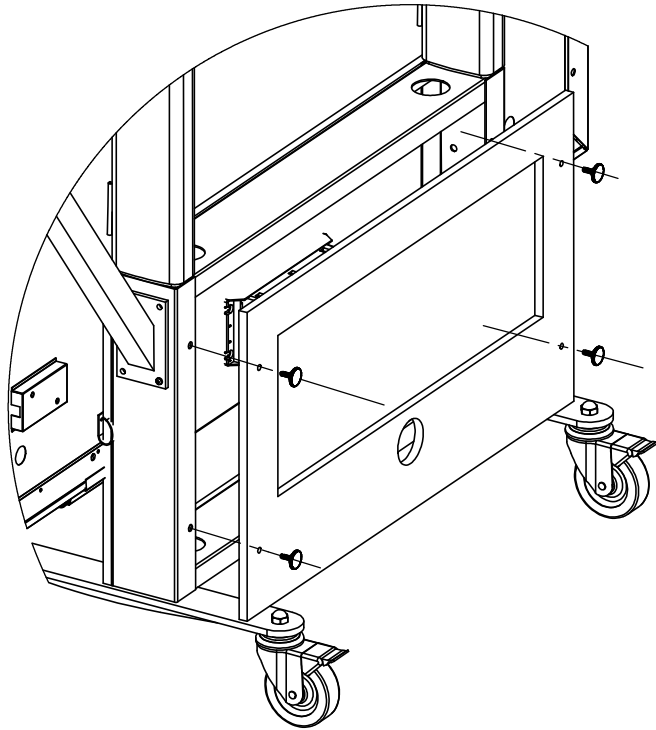
CONTACT US!
support@teamboard.com
www.teamboard.com

North America
1-800-263-2387

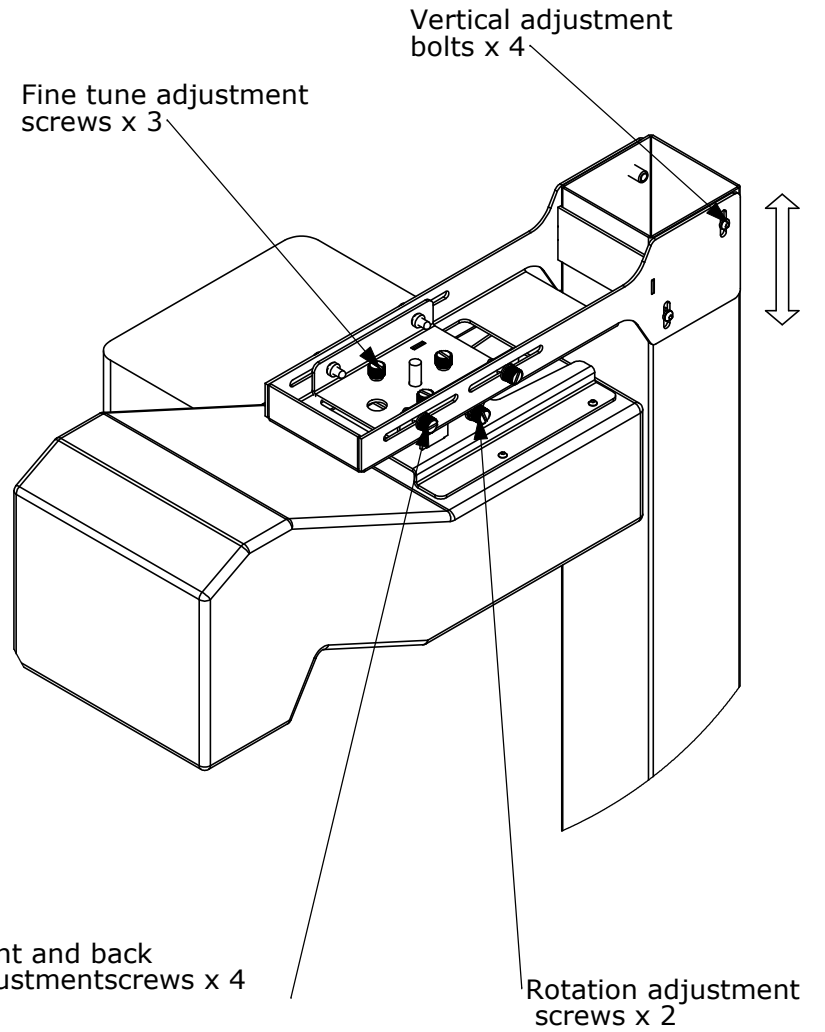
International
1-905-851-2826

Step (11)

Attach back panel using 4 knobs provided.



Step (12)

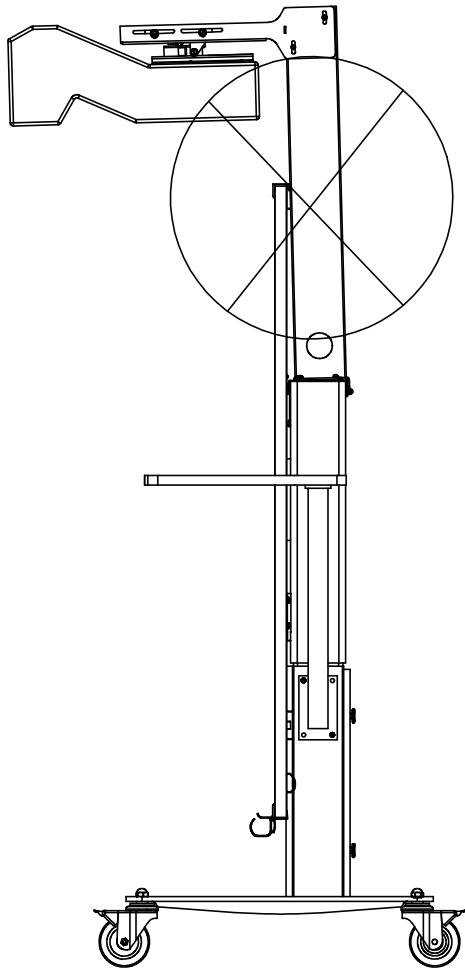


Comments
or
Questions?

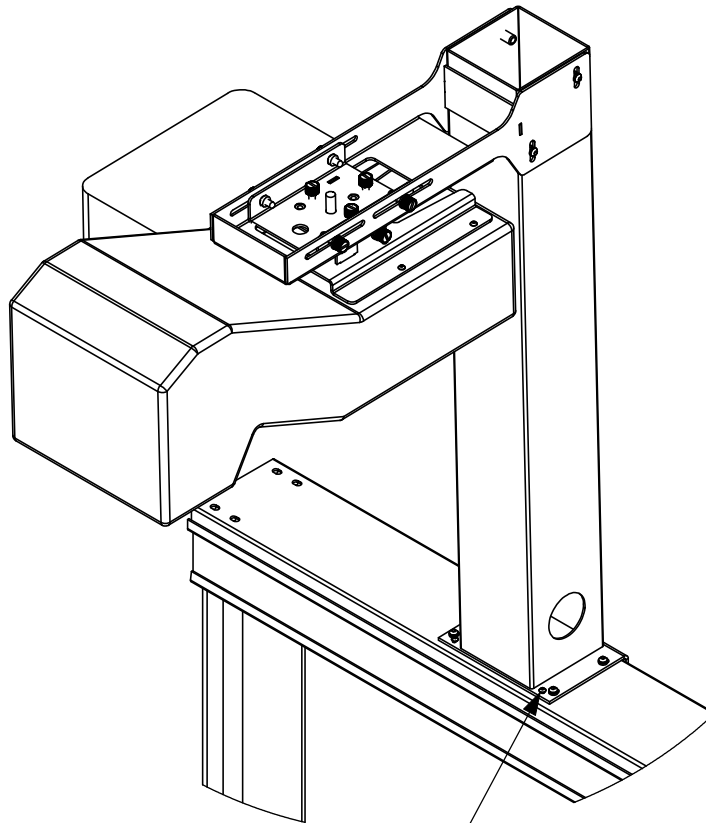
CONTACT US!
support@teamboard.com
www.teamboard.com

North America
1-800-263-2387

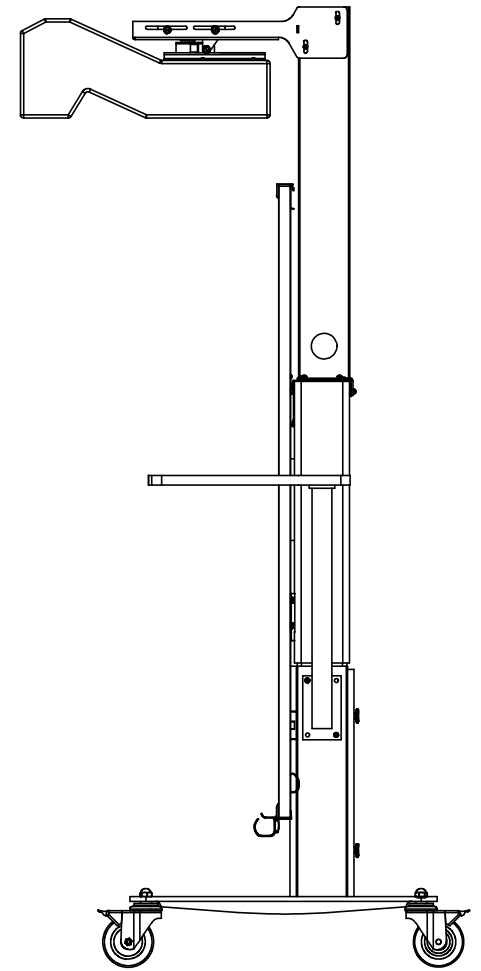
International
1-905-851-2826



Angled pole



Tighten 4mm screws to adjust vertical alignment of pole.



Straight pole

Comments
or
Questions?

CONTACT US!
support@teamboard.com
www.teamboard.com

North America
1-800-263-2387

International
1-905-851-2826